

# PRODUCT INFORMATION PACKET

**marathon**<sup>®</sup>  
Motors

Model No: 5K48WN3013S

Catalog No: K1482

1 HP Condenser Fans HVAC/R Motor, 3 phase, 900 RPM, 208-230/460 V, 56Z Frame, ODP  
Condenser Fans Motors



Regal and Marathon are trademarks of Regal Beloit Corporation or one of its affiliated companies.  
©2020 Regal Beloit Corporation, All Rights Reserved. MC017097E

**REGAL**

### Nameplate Specifications

Output HP	1 Hp	Output KW	0.75 kW
Frequency	60 Hz	Voltage	208-230/460 V
Current	5.1-5.2,2.6 A	Speed	850 rpm
Service Factor	1	Phase	3
Efficiency	69.2 %	Power Factor	0
Duty	Continuous	Insulation Class	B
KVA Code	H	Frame	56Z
Enclosure	Drip Proof	Thermal Protection	AUTO
Ambient Temperature	65 °C	Drive End Bearing Size	6203
Opp Drive End Bearing Size	6203	UL	Recognized
CSA	Yes	CE	N

### Technical Specifications

Electrical Type	Three Phase	Starting Method	N/R
Poles	8	Rotation	Counterclockwise/Clockwise
Mounting	Round	Motor Orientation	VSU
Drive End Bearing	BALL	Opp Drive End Bearing	Ball
Frame Material	Rolled Steel	Overall Length	16.77 in
Frame Length	8.43 in	Shaft Diameter	0.630 in
Shaft Extension	6 in	Thru-bolts Extension	0 in
Outline Drawing	52A109359P6	Connection Drawing	52A110547

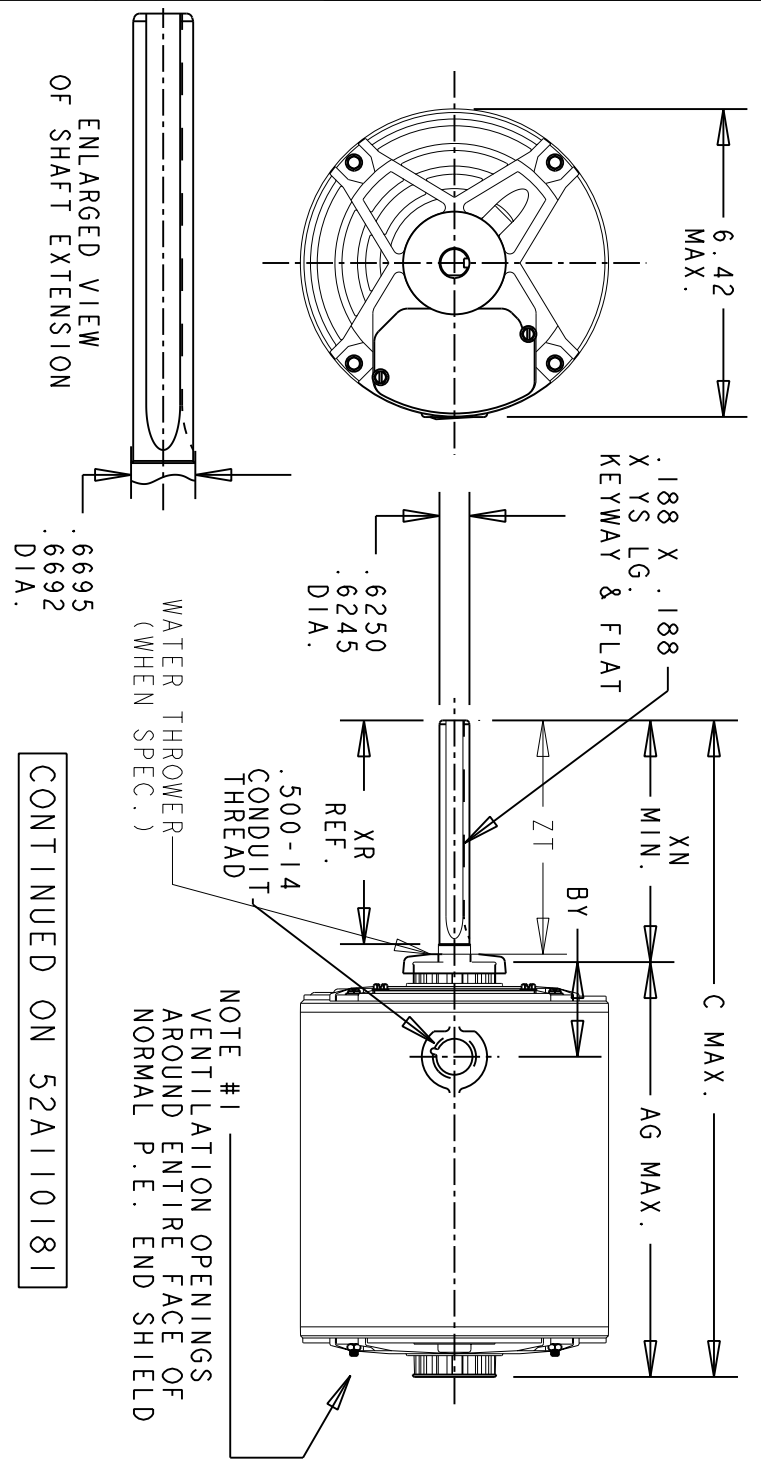
This is an uncontrolled document once printed or downloaded and is subject to change without notice. Date Created:03/11/2020

THIRD ANGLE PROJECTION



REVISIONS

REV.	DESCRIPTION	DATE	APPROVED
9	AS PER ISO3-0583 & 03-0584	03/28/03	MANTRI . U
10	CHG TO RBC FORMAT PER ISO5-1777	03/13/06	SUDHA



9	K	49	56Z	5.00	16.97	11.85	NOTE #1	9.63	2.07/1.95	4.74	3.00	4.77
8	K	49	56Z	4.00	14.02	9.90	NOTE #1	7.68	2.07/1.95	3.74	2.00	
7	K	49	56Z	6.00	17.97	11.85	NOTE #1	9.63	2.07/1.95	5.74	4.00	
6	K	48	56Z	6.00	16.77	10.65	NOTE #1	8.43	2.07/1.95	5.74	4.00	
5	K	49	56Z	6.00	14.89	8.77	NOTE #1	6.55	2.07/1.95	5.74	4.00	
4	K	49	56Z	6.00	16.02	9.90	NOTE #1	7.68	2.07/1.95	5.74	4.00	5.77
3	K	48	56Z	6.00	16.77	10.65	NOTE #1	8.43	2.07/1.95	4.66	4.00	5.73
2	K	49	56Z	6.00	16.02	9.90	NOTE #1	7.68	2.07/1.95	4.66	4.00	
1	K	46	56Z	6.00	14.89	8.77	NOTE #1	6.55	2.07/1.95	4.66	4.00	
P	TYPE	GE SIZE	NEMA FR	XN	C	AG	REMARKS	SHELL LG.	BY	XR	YS	ZT

SIGNATURES		DATE
MODEL	M.D. PAPER	11/05/93
DETAIL		
CHECKED		
ENGRG		
MFG		
APPLIED PRACTICES	QUALITY	
DIMENSIONS ARE IN INCHES	ISSUED	M.D. PAPER 11/05/93
MATERIAL	SOLID MODEL: 52A109359	



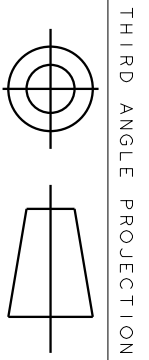
REGAL-BELOTT CORPORATION

TITLE 40 FR. REDESIGN - OUTDOOR CONDENSOR -

TENV (SEL. DRIP PROOF (PE) - BALL BEARING FWF: 5K46LN60325

SCALE: 0.250 REF. No.: 52A109359

SIZE DRAWING A SHEET 1 of 1

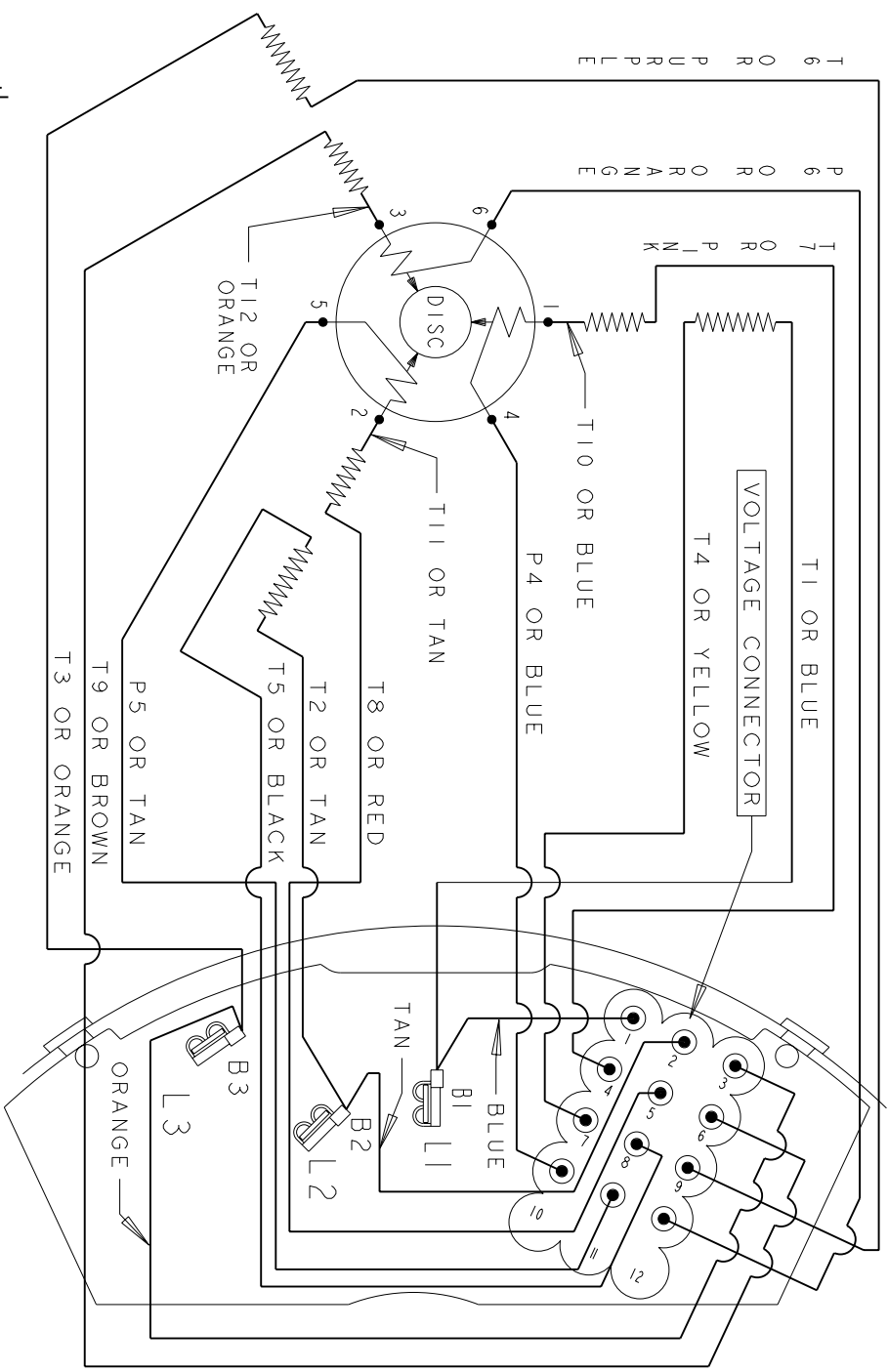


THIRD ANGLE PROJECTION

REVISIONS

REV.	DESCRIPTION	DATE	APPROVED
2	UPDATED TO RBC FORMAT	01/17/06	MAM

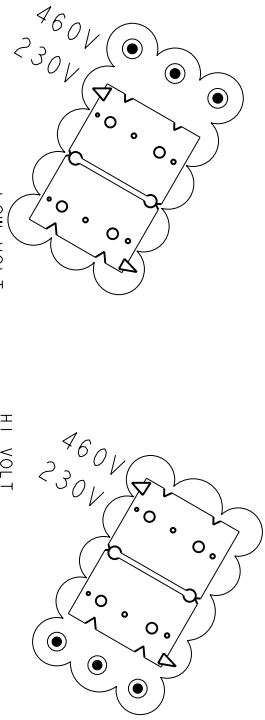
TYPE K - DUAL VOLTAGE - THREE PHASE THERMAL PROTECTION - VOLTAGE CONNECTION DEVICE



GROUND (WHEN REQ'D.)

NOTE #1 - TO REVERSE ROTATION, INTERCHANGE ANY TWO LINE CONNECTIONS TO L1, L2, OR L3.

BOTTOM VIEW OF TERMINAL BOARD



TOP VIEW VOLTAGE CONNECTOR

CONNECTIONS MADE BY PLUG

LOW = 1 TO 4, 7 TO 10, 2 TO 5, 8 TO 11, 3 TO 6, 8 9 TO 12

HI = 4 TO 7, 5 TO 8, 8 6 TO 9

CONNECTION LABEL - 52X333311

SIGNATURES	DATE
MODEL N. MANGESH	12/12/01
DETAIL	
CHECKED TAYLEN L.	12/15/01
ENGRG	
MFG	
QUALITY	
ISSUED TAYLEN L.	12/15/01
APPLIED PRACTICES	
DIMENSIONS ARE IN INCHES	
MATERIAL	SOLID MODEL: 52A110547



REGAL-BELOIT CORPORATION

CONNECTION DIAGRAM

FME: TYPE K - VOLTAGE CHANGE DEVICE - DUAL VOLTAGE

SIZE DRAWING A

SCALE: 1.000 REF. No.:

52A110547

REV 2

SHEET 1 of 1